
Getinge WD15 Claro

Washer-disinfectors

Product Specification

GETINGE
GETINGE GROUP

The Getinge WD15 Claro is a fully automatic, microprocessor controlled, washer-disinfector. Processing cycles are factory programmed with recommended treatment parameters for pre-rinsing, cleaning, post-rinsing, thermal disinfection, final rinse and drying. Validated programs are secured by access code. Detergent and rinse agents are automatically dispensed during cycle.

Intended use

The Getinge WD15 Claro are washer-disinfectors for washing, intermediate level of disinfection and drying of surgical instruments (rigid and tubular), hollow ware, wash bowls and baby bottles. The receptacles should be loaded in correct loading equipment recommended by Getinge Disinfection AB to comply with EN ISO 15883. The customer is responsible that installation qualification, operating qualification and performance qualification are performed according to EN ISO 15883 before product usage.



Customer

Reference

Key features

- 3 rotating sprayarms
 - 2 dos pumps as standard
 - Drying
 - Self closing docking
 - Independent monitoring
 - Program for domestic appliances e.g. plates and glasses.
 - Glass window in door and chamber light.
 - Data interface for connection to NetCOM Bluebox or external printer.
-

Quality statement

Confidence in the Getinge Group is the most important quality criterion. It must be the hallmark of all our external and internal commitments, activities and products. Products and service supplied by Getinge must conform to the agreed terms and expectations to ensure recommendations for further business. The achievement of these quality goals is the basis for continued complete and successful enterprise.

Standards and codes

The Getinge WD15 Claro washer-disinfector is tested and approved to comply with the following requirements and standards.

- MDD 93/42/EEC (Medical Device Directive)
 - ETL/(Testing Laboratories Inc.) Standard: UL 61010A-1 CAN/CSA-C22.2 No. 1010.1-92 IEC 61010-2-040, IEC 61010-1, EN 61010-1, EN 61010-2-040.
 - EMC (Electromagnetic Compatibility) Standard:EN 61000-3-2 and EN 50081-2:93.
 - EN ISO 15883
 - DVGW
 - WRAS Standard: The Eater Supply(Water Fittings) Regulations 1999, Water Byelaws 2000 Scotland, And Water Regulations Northern Ireland.
-

Control system features PACS 350 microcomputer controls

The PACS 350 modular PLC control system is dedicated to the control, operation and maintenance of Getinge sterilizers and washer-disinfectors, featuring:

- CPU processor with battery backup
- Digital inputs and outputs for machine control
- Analog measuring inputs
- RS-232 COM port for serial communication
- RS-232/RS-485 COM port
- Up to 20 cycle program memory

The PACS 350 controls all system functions, both visually and audibly alerts the operator of cycle malfunction and on demand, provides visual indication of the chamber temperature.

Operator control panel

The machine is controlled and operated from the control panel. User interface is based on piezo-technique.

- Graphic display
- Guiding through lightning the buttons.
- Submenus

Screen: Monochrome display (240x64 pixels) with a background color in blue and the graphical objects in a white tone.

Following indicators and function keys are located on the display:

- Process running
- Process complete
- Alarms
- Indicator failed process
- Start cycle
- Button for unlock door.

The software has a memory for up to 20 programs. One optional program as default. The other programs are reachable via program roll-list.

Water softener

We recommend that you use a water softener above 6 dH° We also recommend that you use DI water in the disinfection phase because softened water in the thermal disinfection phase can destroy anodised aluminium surface. Deionised water during this phase protects and stabilises the anodised aluminium surface.

Programs

As standard the Getinge WD15 Claro is equipped with 10 different programs. To reach some of the programs the program list has to be reconfigured.

1 Power clean-D

The program with the strongest cleaning effect, including two pre-rinse and a 10 minutes long washing phase.

2 Instrument-AN-D

A shorter program suitable for different bowls and AN-equipment.

3 AN excluding detergent

4 Enzyme

The same as program no.2 but to be used with an enzymatic detergent. Can only be used when an external dosing box is attached.

5 DA-short-D

A program with no disinfection. Can be used for domestic appliance. Only available via access code.

6 Power clean-IM-D

The same program as no.1 but with an extra dosing for lubrication of instrument. Can only be used when an external dosing box is attached.

7 Instrument-AN-IM-D

The same as program no.2 but with an extra dosing for lubrication of instrument. Can only be used when an external dosing box is attached.

8 Enzyme-IM-D

The same program as no.2 but with an extra dosing for enzymatic detergent and lubrication of instrument. Can only be used when an external dosing box is attached.

9 Disinfection-D

A single final rinse with disinfection and drying. Only available via access code.

10 Deliming

A program to use when you need to take away lime deposit from the chamber. Only available via access code.

Disclaimer

Do not use this product specification for installation of equipment. Subject to change without notice.

Documentation

The following documentation will be sent out together with the product:

- User manual in local EU language (paper)
- Installation manual in English, German, French or Swedish (paper)
- Declaration of Conformity (paper)
- Goods placement poster/quick start (laminated paper)
- CD containing all approved language for the user manual, installation manual and program sheet

The following documentation is to be provided by the sales company to the end costumer upon demand.

- Technical manual
- Parts list

Languages available for the control panel

Bulgarian (bg)	Latvian (lv)
Czech (cs)	Lithuanian (lt)
Danish (da)	Norwegian (no)
Dutch (nl)	Polish (pl)
English (en)	Portuguese (pt)
Estonian (et)	Romanian (ro)
Finnish (fi)	Russian (ru)
French (fr)	Serbian (sr)
German (de)	Slovak (sk)
Icelandic (is)	Slovenian (sl)
Hungarian (hu)	Spanish (es)
Italian (it)	Swedish (sv)
Japanese (ja)	

Getinge WD15 Claro

Washer-disinfectors

Configuration sheet

Ordering Information

Mark your selections:

= Selected option

Optional choice

Documentation

State country for correct language in the enclosed manuals.

Language/ control panel

Select touchscreen language, from the table in section “Languages available for the control panel” on page 4.

Panels colour

Getinge WD15 Claro is available in two different colors:

Blue

White (clinics & practices)

Basic carts

As standard, the machine comes without carts. As options, it can be equipped and delivered with one base cart and one upper cart. Both carts are as well as the 2-level cart, possible to order separately (see Accessories). Injection bar can only be combined with a base cart.

Without cart

Upper cart (loading height 110 mm).

Base cart

Water softener

Getinge WD15 Claro offers an integrated water softener as an option, in order to secure a good process result when hard water is present.

Without water softener

With water softener

Customer

Reference

Supply voltage

Please refer to utility data table for correct amperage.

- 200V, 50Hz, 3+PE, 20A
- 200V, 60Hz, 3+PE, 20A
- 208V, 60Hz, 3+PE, 20A
- 220V, 60Hz, 3+PE, 20A
- 220V, 50Hz, 3+PE, 20A
- 230V, 60Hz, 3+PE, 20A
- 230V, 50Hz, 3+PE, 20A
- 240V, 50Hz 3+PE, 20A
- 240V, 60Hz 3+PE, 20A
- 230V, 50Hz, 1N+PE, 10A
- 380V, 60Hz, 3N+PE, 16A
- 380V, 50Hz, 3N+PE, 16A
- 400V, 60Hz, 3N+PE, 16A
- 400V, 50Hz, 3N+PE, 16A
- 415V, 50Hz, 3N+PE, 16A

Water connections

As standard Getinge WD15 Claro is equipped with two 1.5 m hoses for hot and cold water connection. As option, an additional water connection for treated water can be chosen. Treated water connection is always recommended when using water softener.

- Without connection for treated water.
- With connection for treated water

Drain cooling

As an option, cold water can be injected automatically into the drain in order to reduce the drain water temperature to 60 °C or below.

- No drain cooling
- Drain cooling

Dosing pumps

As standard two dosing pumps for process chemicals are supplied, third and fourth pump are optional. The third pump may be used for either instrument lubrication or enzyme wash. The third pump determines which program group will be delivered with the washer. All pumps can be fitted with flow monitoring. Liquids with a higher viscosity than 10 cST may cause a clog of the flow monitoring function. All pumps can be fitted with flow monitoring.

- 2 dosing pumps
- 3 dosing pumps

A fourth pump with flow control can be ordered separately as an accessory.

Flow control

- Flow monitoring pump 1&2
- Flow monitoring pump 1–3

Flow control is required to comply with ISO-EN 15883.

NetCom

Communication solution for exporting process information to a USB connected storage drive or connection to T-DOC Asset Management System.

When choosing NetCom there is also a possibility to enter an agreement about Getinge Online service. Getinge Online gives unique access to real-time and historical information, provides faster and more timely service.

For more information please visit our Web site Getinge.com

No NetCom

NetCom

It is not possible to combine printer with NetCom.

Program selection

90 °C 1 min. A₀ 600

90 °C 5 min. A₀ 3000

Thermal disinfection type

Disinfection phase time and temperature controlled.

Disinfection phase time and temperature controlled, additional A₀ value calculated.

Disinfection phase A₀ value controlled.

Accessories

The following accessories are available for Getinge WD15 Claro and must be ordered separately:

503155500 MIS injection bar

503301900 AN injection bar with hose support

503043200 Dental injection ramp

503839401 Printer kit with with power cords for EU/GB/US/AU

6001575601 One external dosing pump with flow monitoring

503062000 Cabinet for placement under the machine

503393600 Wash cart 2-level (cannot be used with Injection bar/ramp)

503305300 Protection foil

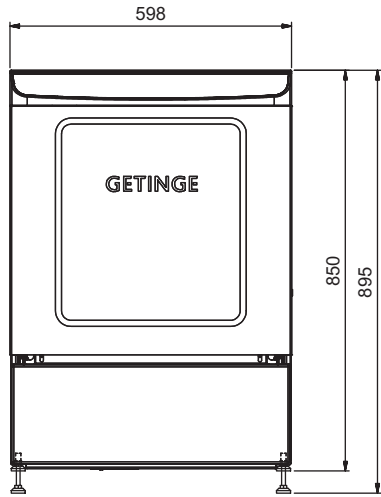
6001384502 Upper cart (loading height 210 mm)

503014600 Base cart

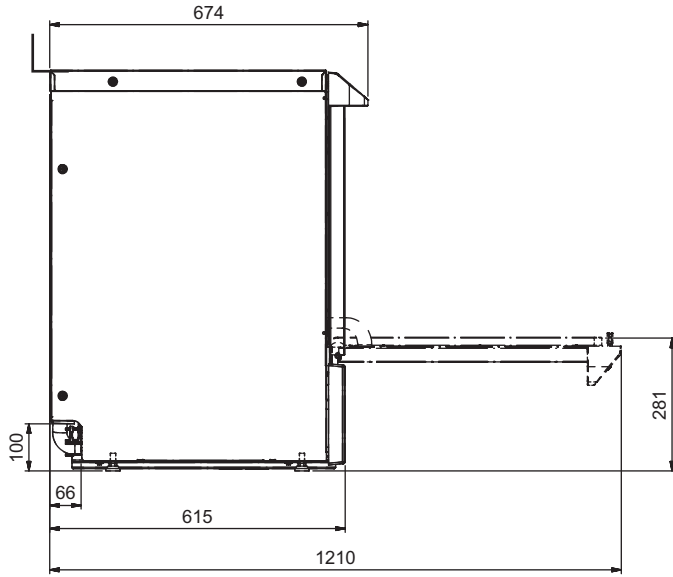
503013400 Upper cart (loading height 110 mm)

INSTALLATION AND OUTER DIMENSIONS

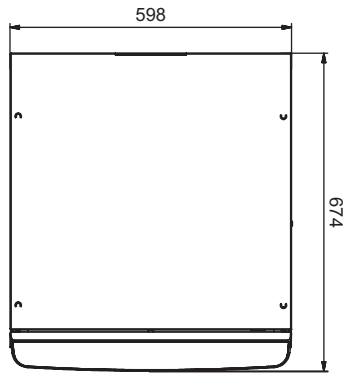
Dimensions in mm



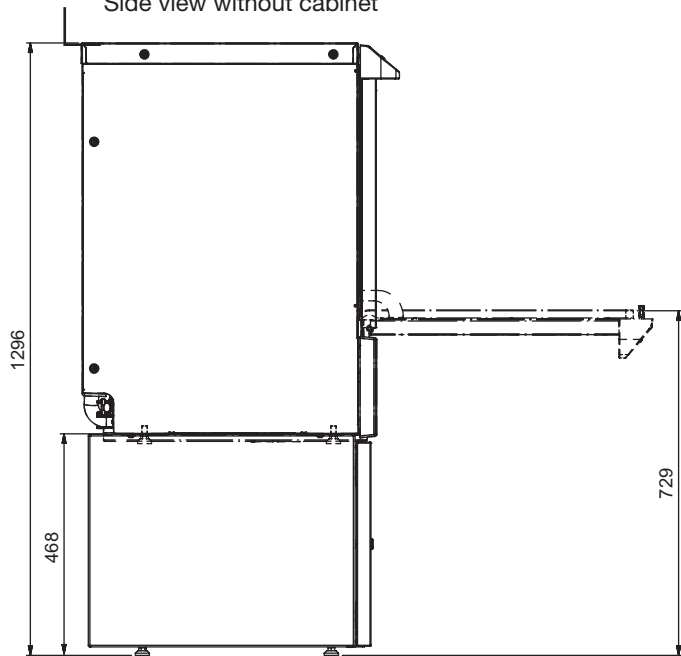
Front view



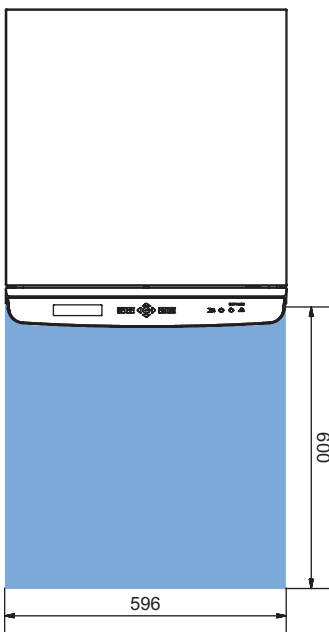
Side view without cabinet



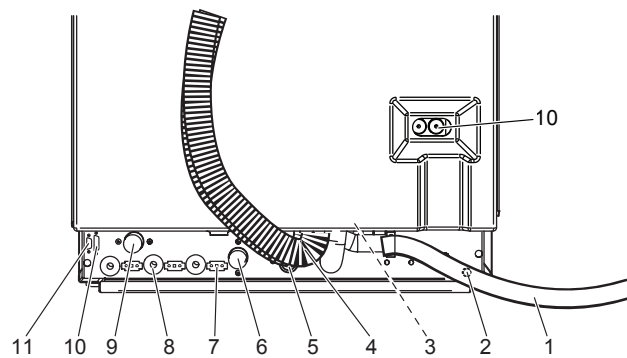
View from above



Side view with cabinet



Service area in front of machine



- | | | | |
|---|--------------------------|----|-----------------------|
| 1 | Power connection | 7 | Empty container alarm |
| 2 | Earth point | 8 | Dosing |
| 3 | Connection drain cooling | 9 | Cold water |
| 4 | Drain hoses | 10 | External dosing |
| 5 | WFI water | 11 | Printer /Netcom |
| 6 | Hot water | | |

Technical data

GETINGE WD15 CLARO - TECHNICAL DATA				
UTILITY REQUIREMENTS				
Utility	Unit connection	Supply pressure requirements	Flow requirement	Comments
Cold water (CW)	ISO G-1/2"	100–800 kPa	20 l/min	See notes 1, 4 and 5
Hot water (HW)	ISO G-1/2"	100–800 kPa	20 l/min	See notes 2, 4 and 5
WFI	ISO G-1/2"	100–800 kPa	20 l/min	
Drain (D)	Ø 20 mm	N/A	50 l/min	See notes 3 and 6
Electrical (E)	Recommended service disconnect	Full load amps		See notes 7 and 8
415V 3N+PE, 50Hz, 8.5kW.....16A 400V 3N+PE, 60Hz, 8.0 kW16A 400V 3N+PE, 50Hz, 8.0 kW16A 380V 3N+PE, 60Hz, 8.0 kW16A 380V 3N+PE, 50Hz, 8.0 kW16A 230V 1N+PE, 50 Hz, 2.2 kW10A 240V, 3+PE, 60Hz, 7.0 kW20A 240V, 3+PE, 50Hz, 7.0 kW20A 230V 3+PE, 60 Hz, 7.0 kW20A 230V 3+PE, 50 Hz, 7.0 kW20A 220V 3+PE, 60 Hz, 6.9 kW20A 220V 3+PE, 50 Hz, 6.9 kW20A 208V 3+PE, 60 Hz, 6.3 kW.....20A 200V 3+PE, 60 Hz, 5.9 kW.....20A 200V 3+PE, 50 Hz, 5.9 kW.....20A				
OPERATING CONDITIONS				
Room temperature	5–40 °C (41–104 °F)			
Air humidity	< 80% at 31 °C (87 °F)			
Max surface temperature	55 °C			
Noise level	<60 dB			
Water consumption	9.5–12 l/phase			
TECHNICAL DATA COMPONENTS				
Water circulation system				
Design temperature	100 °C (212 °F)			
Operating temperature max	93 °C (199 °F)			
Circulation pump				
Max flow	380 l/min			
Motor	850 W			
Material of construction	PP			
Drain pump				
Max flow	40 l/min			
Motor	65 W			
Material of construction	PP			
Dosing pump				
Max flow	7.5 l/h			
Motor	24VDC			
Material of construction	Pump house PP, Hoses Norprene/Fluran/Silicone			
Heater				
Heating element/installed power	Water 6.3 kW, dryer 2.8kW			
Radiant heat loss	Max 500 W hot air during drying Max 900 W at disinfection 90 °C (194 °F)			

Technical data
(continued)

WEIGHTS AND DIMENSIONS	
Outer dimensions	
Width	598 mm
Depth	615 mm
Height	850 mm without cabinet 1300 mm with cabinet
Chamber dimensions	
Width	538 mm
Depth	534 mm
Height	520 mm
Gross volume	180 liter
Effective volume	150 liter
Material of construction; casing stainless	AISI 304, EN 1.4301
Material of construction; casing white coated	Galvanized steel
Material of chamber and circulation pipes	AISI 316L, EN 1.4404
Weight	
Total weight	92 kg without cabinet 100 kg with cabinet

Notes:

- 1) CW recommended quality = drinking water (see installation manual) and temperature 5–20 °C (41–68 °F).
- 2) HW recommended quality = drinking water (see installation manual) and temperature 45–60 °C (113–140 °F).
- 3) Without drain cooling is the temperature up to 90 °C (194 °F). With drain cooling 60 °C (164 °F) if cold water 5 °C (41 °F).
- 4) It shall be the users responsibility to insure by use of pressure regulators or other means that maximum specified pressures are not exceeded.
- 5) It shall be the users responsibility to eliminate water hammer conditions should they occur in the service piping.
- 6) It shall be the customers responsibility to provide a properly sized and located drainage system in accordance with the national plumbing code. Consider that other equipment is tied to drain to eliminate slow drainage or backup.
- 7) It shall be the user responsibility to complete all electrical connections using properly sized wiring in accordance with the national electrical code.
- 8) It shall be the customers responsibility to provide a fused disconnect switch in all electrical supply lines at the washer location.

GETINGE
GETINGE GROUP

Getinge Infection Control AB
P O Box 69, SE-305 05 Getinge, Sweden
Phone: +46 10 335 00 00
info@getinge.com
www.getinge.com

Legal Manufacturer:
Getinge Disinfection AB
Ljungadalsgatan 11
352 46 Våxjö
SWEDEN
Phone: +46 10 335 98 00

GETINGE GROUP

Getinge Group is a leading global provider of products and systems that contribute to quality enhancement and cost efficiency within healthcare and life sciences. We operate under the three brands of ArjoHuntleigh, Getinge and Maquet. ArjoHuntleigh focuses on patient mobility and wound management solutions. Getinge provides solutions for infection control within healthcare and contamination prevention within life sciences. Maquet specializes in solutions, therapies and products for surgical interventions, interventional cardiology and intensive care.
